



Donaldson  
FILTRATION SOLUTIONS

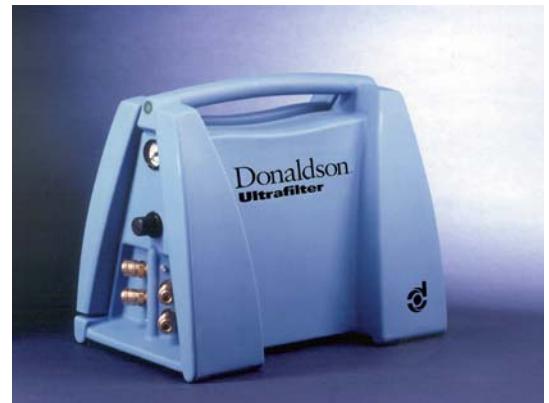
# Compressed Air Filtration

## Breathing Air Unit

### Ultrapure ALG 20

#### MAIN FEATURES & BENEFITS

- Mobile breathing air unit for up to 4 persons
- Multi stage purification incl. coalescence filter (1 or 2 stages) with Ultrapleat® technology and automatic condensate drain for the removal of oil aerosols and particles and activated carbon filter for the removal of oil vapours, hydrocarbon as well as taste and odours
- Robust polymer housing with flap lid
- Slewable filter unit for fast and easy maintenance of the filter stages
- Multi function block - all movable parts and all electronic components in a single function block integrated, therefore easy and time-saving maintenance
- Incl. pressure reducer, pressure gauge and 4 hose couplings
- Operating hours counter with integrated pressure switch counts only, if the unit is under operating pressure
- Indication of exchange intervals of the filters via LED



Ultrapure ALG 20

#### INDUSTRIES



- **Chemical**



- **Surface finishing**



- **Environmental**



- **Machine building and  
plant engineering / construction**

Donaldson Filtration Deutschland GmbH  
Büssingstr. 1  
D-42781 Haan  
Tel.: +49 (0) 2129 569 0  
Fax: +49 (0) 2129 569 100  
E-Mail: [CAP-de@donaldson.com](mailto:CAP-de@donaldson.com)  
Web: [www.donaldson.com](http://www.donaldson.com)

Donaldson®  
Ultrafilter

## PRODUCT DESCRIPTION

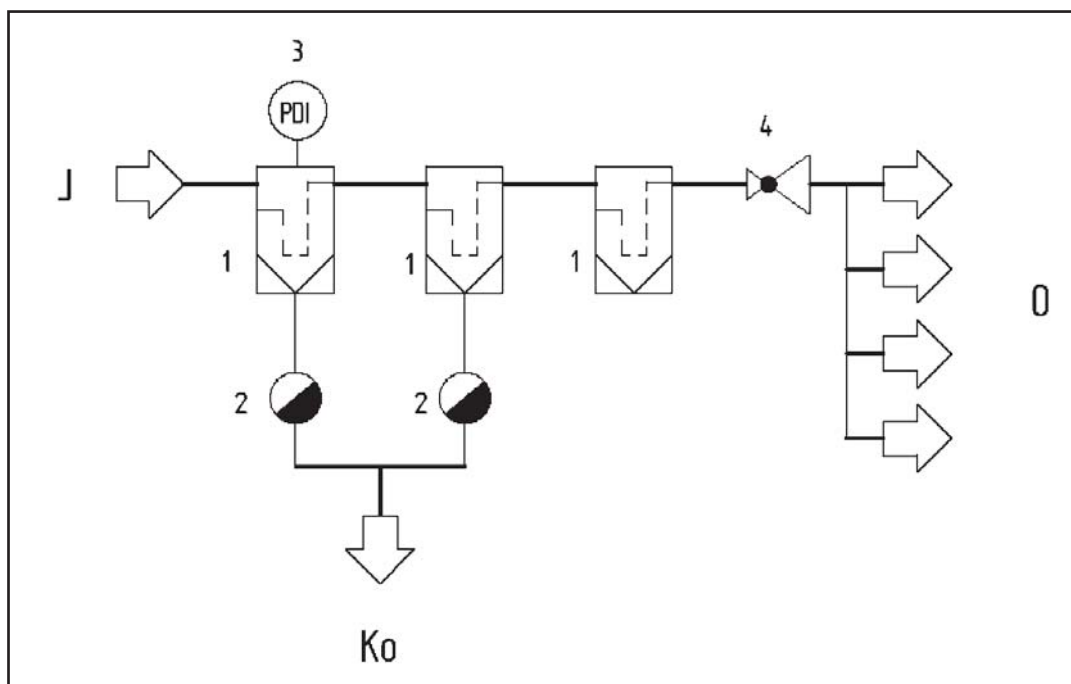
The Ultrapure ALG 20 is applied when the breathing air is contaminated by the working process itself, as for example during sandblasting, varnishing, paint production, in chemical industries, in plastics industries or working places where the air quality is impaired. If the compressed air is centrally pre-purified and carbon monoxide (CO) and carbon dioxide (CO<sub>2</sub>) concentration in the compressed air do not exist, the Ultrapure ALG 20 with its two respectively three filter stages is used as an additional solution for purification application. The Ultrapure ALG 20 is installed downstream of the compressed air system. With a volume flow rate of 60 m<sup>3</sup>/h (90 m<sup>3</sup>/h max.) the system can provide up to four persons with breathing air. The breathing air unit Ultrapure ALG 20 in the standard-version includes a high-rate filter combination consisting of one sub-micro filter S and one activated carbon filter A. With higher impurity of the compressed air system a micro filter called M can be installed as the third filter stage.

Condensate is discharged via a mechanical float-controlled drain and is collected in a condensate container fixed outside the casing. The Economizer which is integrated in the Ultrapure ALG 20, determines the most efficient time for a filter exchange via a microprocessor controlled differential pressure gauge and reduces operating cost by up to 70%. For particles and oil in the compressed air, this system reaches quality class 1. The integral pressure regulator can regulate inlet pressure values of 16 bar max. to 0.5-16 bar.

**The Ultrapure ALG 20 is designed and developed for the following applications:**

- **Breathing Air:**

Removal of oil and particles as well as smell and odours



## ABMESSUNGEN

## Ultrapac® 2000 Standard / Superplus Midi

Features	Benefits
Mobile breathing air unit for up to 4 persons with multi stage purification incl. coalescence filter with Ultrapleat® technology, automatic condensate drain, particle filter and activated carbon filter	Compact purification unit as ready-for-use system with 2 to 3 high performance filter stages for flexible breathing air purification, dependend of the contamination grade of compressed air
High performance filter, type DF with validated performance data acc. to ISO 12500-1, ISO 12500-2 and ISO 12500-3	Reliable reaching of the breathing air quality, high dirt retention capacity by pleated filter media with large filter area, therefore long service life and low differential pressure
Pressure reducer, pressure gauge and 4 hose couplings	Individual adjustable amount of air for up to 4 persons
Robust polymer housing with flap lid and slewable filter unit as well as outside mounted condensate tank.	Service friendly construction for fast and easy filter exchange; outside mounted condensate tank to permanent level control for discharging in time
Operating hours counter with integrated pressure reducer and LED display for filter exchange	Operating hours counter counts only the operating hours, if the unit is under operating pressure; Load indication remembers for the exchange in-time of the activated carbon stage to achieve the necessary breathing air quality
ATEX version on request	Wide application area, even for use in areas subject to explosion hazards

Technical Data					
ALG	Capacity at 7 bar operating pressure m <sup>3</sup> /h		Connection	Weight kg	Filter Elements
	nominal	maximal			
0020*	60	90	4x 3/8"	7 kg	(M) S A

\* without CO – and CO<sub>2</sub> removal. For this, the ALG S series can be used.

DIMENSIONS

